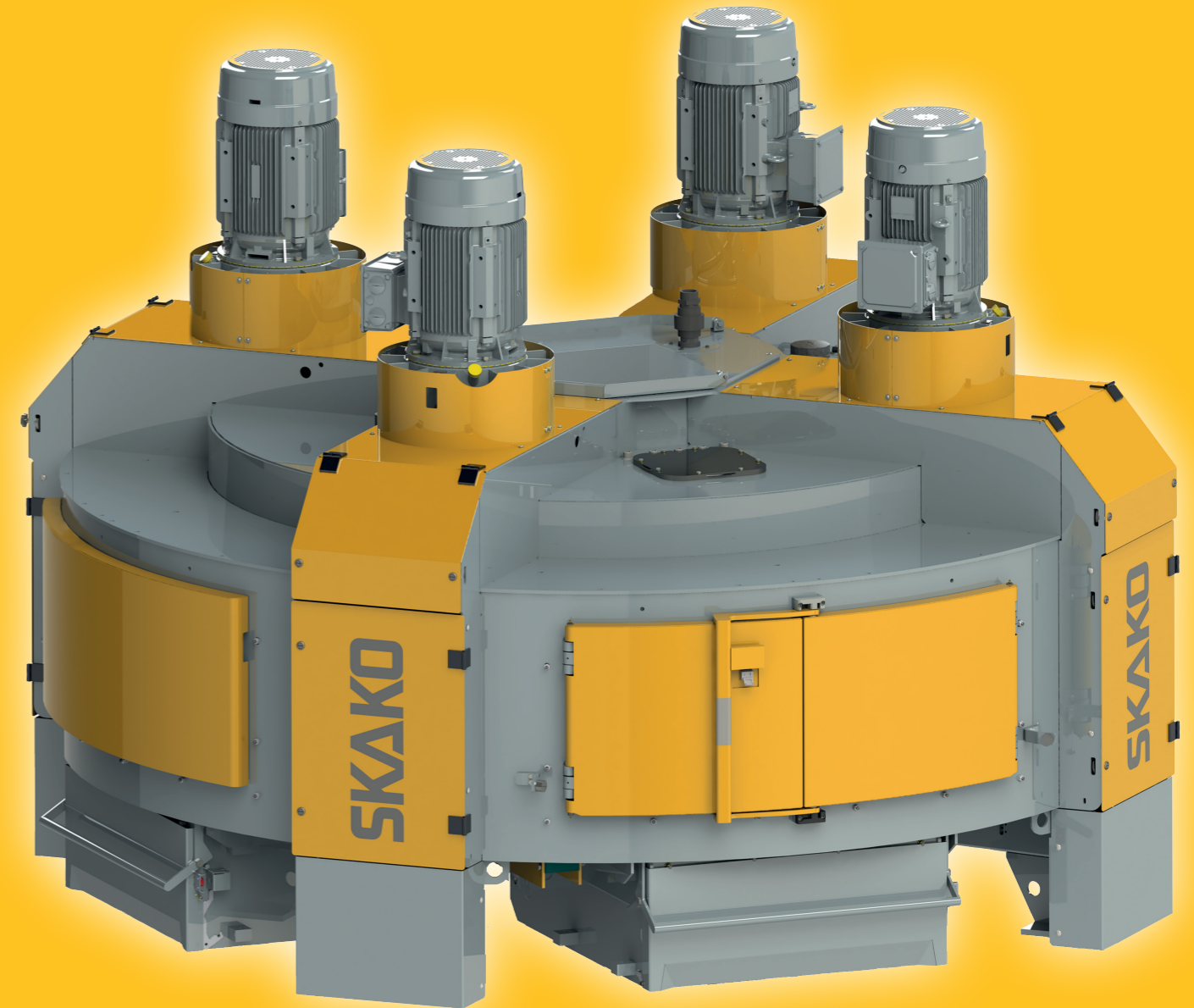


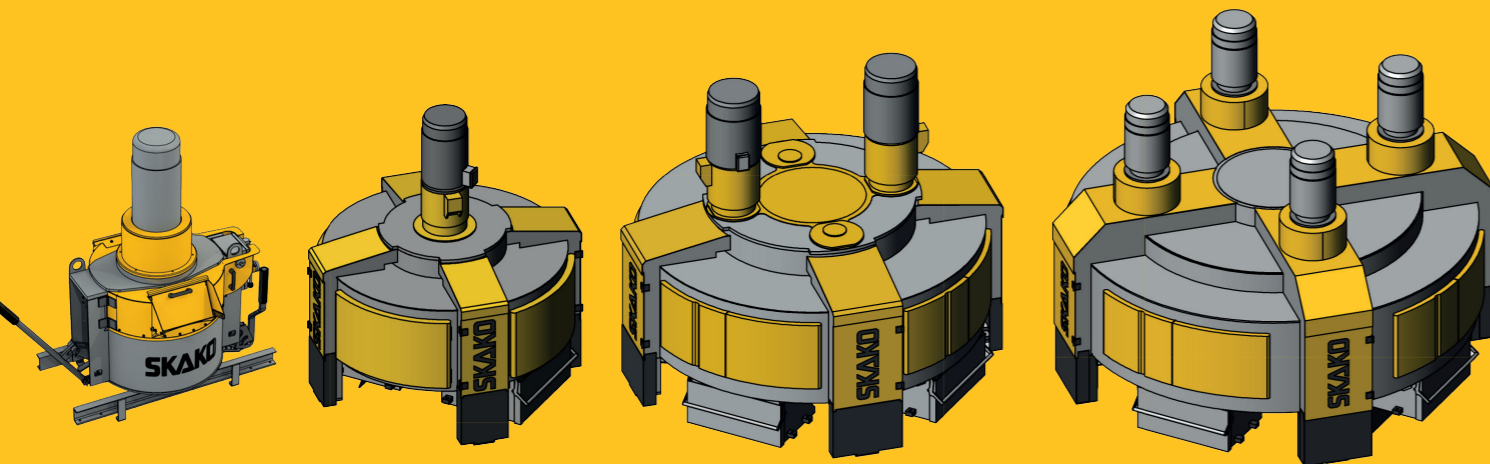
SPECIFICATIONS

HIGH-PERFORMANCE MIXERS

- Less manpower needed during lifetime
- Up to 50% shorter cleaning time
- Up to 23% faster discharging
- Shorter cycle times
- Up to 19% savings on energy consumption
- Lower operating and maintenance costs
- Side-mounted hatches for safe, easy access
- Fast replacement of wear parts
- Excellent visibility
- Self-lubricating gear in oil sump



Type	125	750	1125	1500	2250	3000	3750	4500	6000
Volume l/kg	125/200	750/1200	1125/1800	1500/2400	2250/3600	3000/4800	3750/6000	4500/7200	6000/9600
Max. output per batch m ³	0.08	0.5	0.75	1.0	1.5	2.0	2.5	3.0	4.0
Motor size kW	3	18,5	30	2x22	2x30	2x37	3x30	4x30	4x37
Mixer stars	1	1	1	2	2	2	3	3	4



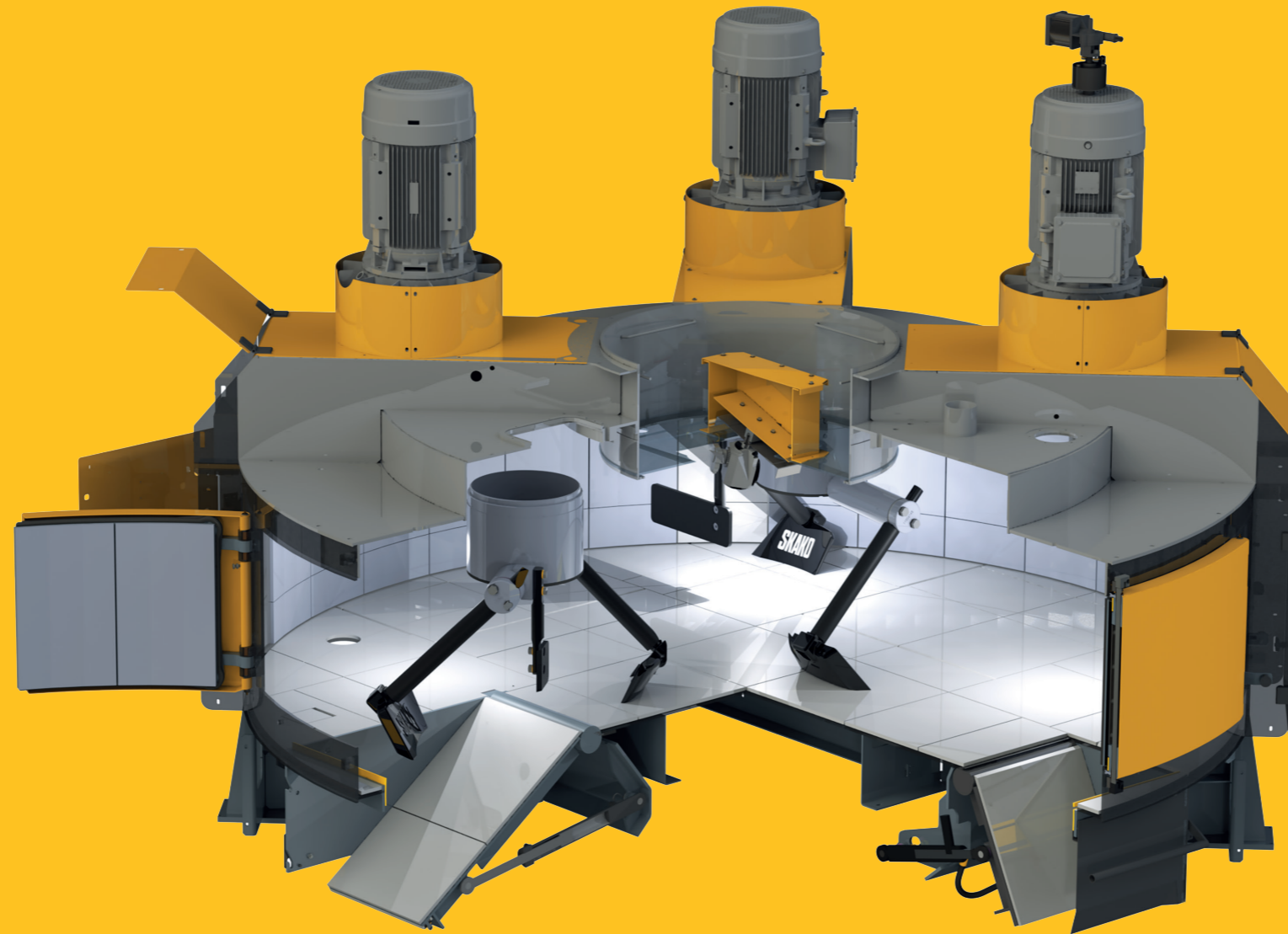
www.skako.com

SKAKO
CONCRETE
- your concrete partner

SKAKO
CONCRETE
- your concrete partner

WHAT MAKES ATLANTIS SO MUCH BETTER?

The engineering that goes into SKAKO concrete mixers continues to develop. The result is the ATLANTIS counter-current mixer which offers a series of new solutions designed for a long lifetime of producing very homogeneous mixes in short cycle times.



Airbag

Anti-dust airbag system prevents the dust from entering the work environment.



Inspection hatch

Inspection hatch on top of the mixer makes it possible to look into the mixer during the mixing process, without compromising safety. Optional with LED light.



Inlet / skip hoist

Safe and dustproof inlet for skip hoist bucket. Inlet is closed when bucket is not in position. Large opening for fast discharge of materials into the mixer.



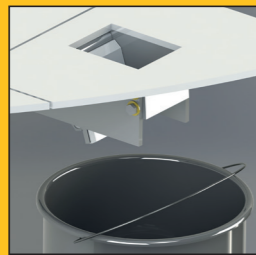
Water proportioning

Water proportioning device enables the addition of water during production. Different models available for different types of concrete.



Sampler

Semi-automatic, electro-hydraulic device for safe, easy and controlled extraction of concrete test sample.



Automatic cleaning

High-pressure cleaning system eliminates the need for manual cleaning of the inside of mixer.



Shovels

Unique two-level shovel technology ensures better controlled high intensive mixing. Bolts are countersunk so concrete will not stick and old concrete will not get mixed in with new batches.



Manual operation

Mixing tools can be easily adjusted into optimal position during servicing.

Camera

Remote camera surveillance for monitoring mixing process from the control room.



Moisture control

Electrodes measure humidity in the concrete and automatically regulate addition of water via SKAKOMAT 600.



Safety system

Safety system for door openings with key interlock. The safety system meets prevailing quality and higher performance levels than required than EU safety standards.



Discharge gates

Detachable hatch with safety system for easy cleaning and maintenance.



Hydraulic powerpack

Manual discharge function ensures that discharge can take place in case of power failure.

Evolution of mixers



1929

1963-1979

1979-1991

1991-2001

2001-2012

TODAY