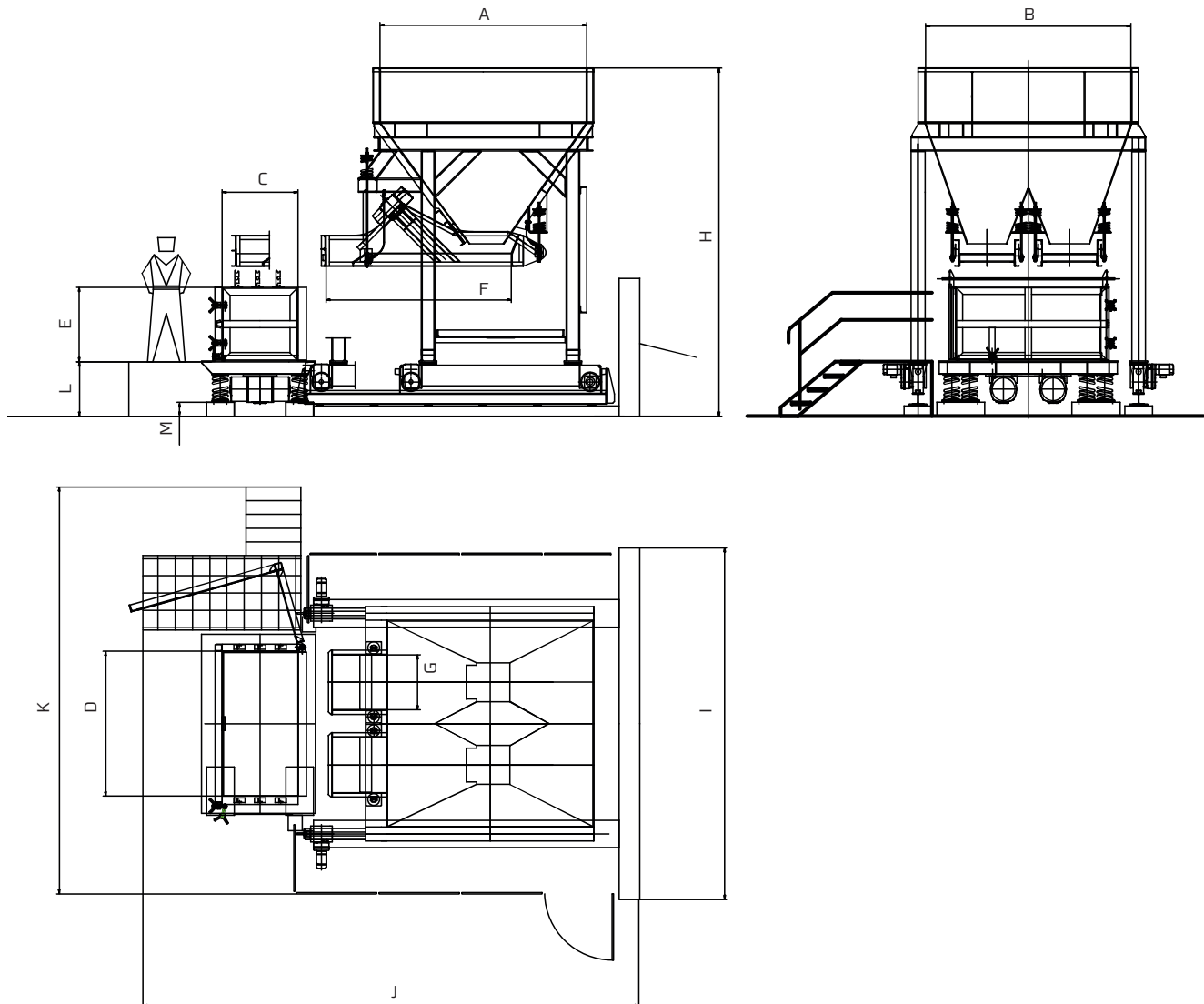


## SKAKOGAB



INSTALLATION REQUIREMENTS (mm)												
A	B	C	D	E	F	G	H	I	J	K	L	M
3000	3000	1100	2100	1100	2600	800	5000	5100	7200	5900	800	200

MOTOR SIZE (kW)	
Hopper	2 x 0,32
Feeder FCU080/0260M2C	2 x 3,0
Table S1U100/0200M1C	2 x 7,0

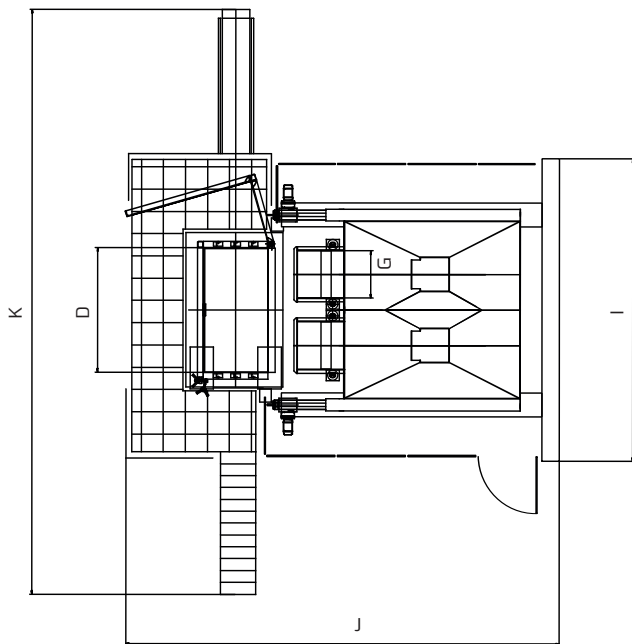
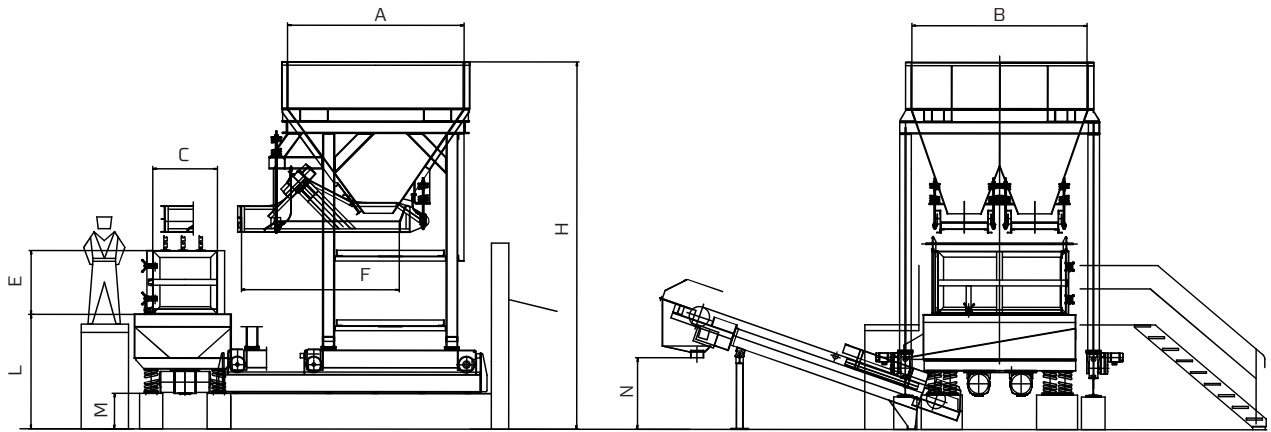
Hopper Capacity	10 m <sup>3</sup>
Grain Size	60-150 mm
GABION Loading Time	3 mm

SKAKO VIBRATION retains all rights to change or improve the above specifications without notice

12-05-2013

Please contact us for further information regarding exact dimensions and installations.

## SKAKOGAB - With fine Recovering (Option)



INSTALLATION REQUIREMENTS (mm)													
A	B	C	D	E	F	G	H	I	J	K	L	M	N
3000	3000	1100	2100	1100	2600	800	6200	5100	7200	9800	1900	600	1200

MOTOR SIZE (kW)	
Hopper	2 x 0,32
Feeder FCU080/0260M2C	2 x 3,0
Table S1U100/0200M1C	2 x 7,0
Belt Conveyor 500 x 4500	1,1

Hopper Capacity	10 m <sup>3</sup>
Grain Size	60-150 mm
GABION Loading Time	3 mm

SKAKO VIBRATION retains all rights to change or improve the above specifications without notice

12-05-2013

Please contact us for further information regarding exact dimensions and installations.