

## BANANA SCREENS

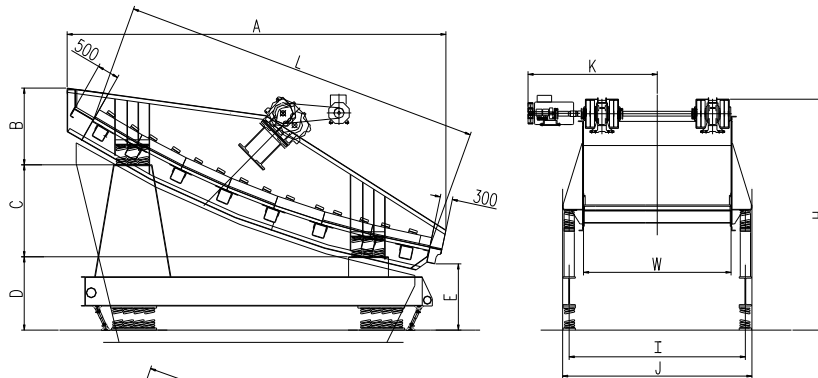


Figure 1

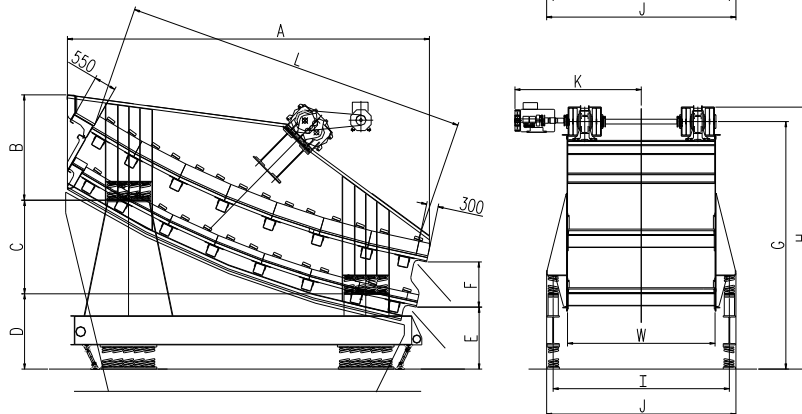


Figure 2

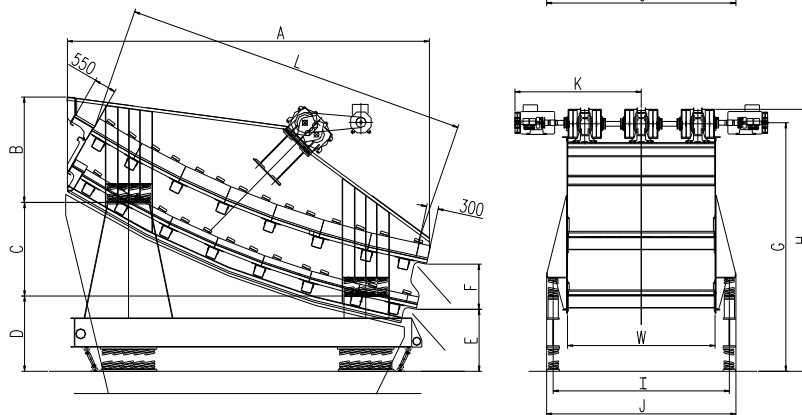


Figure 3

Type of Screens	Figure	Dimensions (mm)												
		W	L	A	B	C	D	E	F	G	H	I	J	K
S1D 300/0610 M1H	1	3000	6100	6700	1850	2000	1800	1600	/	5000	5400	3700	4100	2850
S1D 300/0730 M1H	1	3000	7300	8150	1850	2200	1800	1600	/	5000	5400	3700	4100	2850
S1D 300/0850 M1H	1	3000	8500	9250	1850	2400	1800	1600	/	5000	5400	3700	4100	2850
S1D 360/0610 M1H	1	3600	6100	6700	1850	2000	1800	1600	/	5000	5400	4300	4700	3150
S1D 360/0730 M1H	1	3600	7300	8150	1850	2200	1800	1600	/	5000	5400	4300	4700	3150
S1D 360/0850 M1H	1	3600	8500	9250	1850	2400	1800	1600	/	5000	5400	4300	4700	3150
S2D 300/0610 M1H	2	3000	6100	6700	2400	1700	1800	1600	1100	6000	6400	3700	4100	2850
S2D 300/0730 M1H	2	3000	7300	8150	2400	2000	1800	1600	1100	6000	6400	3700	4100	2850
S2D 300/0850 M1H	3	3000	8500	9250	2400	2300	1800	1600	1100	6000	6400	3700	4100	2850
S2D 360/0610 M1H	2	3600	6100	6700	2400	1700	1800	1600	1100	6000	6400	4300	4700	3150
S2D 360/0730 M1H	3	3600	7300	8150	2400	2000	1800	1600	1100	6000	6400	4300	4700	3150
S2D 360/0850 M1H	3	3600	8500	9250	2400	2300	1800	1600	1100	6000	6400	4300	4700	3150

Please contact us for further information regarding exact dimensions and installations.  
**SKAKO Vibration** retains all rights to change the above specifications without notice.

## BANANA SCREENS

Banana screens are specifically used to screen material with a high proportion of fine particles.

With the curved screening area design of banana screens, the speed of material is highest at the steeper feed zone end, which then slows as the screening area slope reduces towards the discharge end.

This difference of speed maintains a constant material bed depth and allows an increased screening capacity when compared to the same screening area of a 'single slope' screen.

Screen type	Area	Decks	Weight of		Max
			Banana Screen	Counter-Mass	
S1D 300/0610 M1I	18,30 m <sup>2</sup>	1	14.200 kg	7.000 kg	Up to 2500 tph
S1D 300/0730 M1I	21,90 m <sup>2</sup>	1	19.600 kg	9.500 kg	Up to 3000 tph
S1D 300/0850 M1I	25,50 m <sup>2</sup>	1	20.800 kg	10.000 kg	Up to 3500 tph
S1D 360/0610 M1I	21,96 m <sup>2</sup>	1	19.100 kg	9.500 kg	Up to 3000 tph
S1D 360/0730 M1I	26,28 m <sup>2</sup>	1	22.200 kg	11.000 kg	Up to 3500 tph
S1D 360/0850 M1I	30,60 m <sup>2</sup>	1	23.600 kg	12.000 kg	Up to 4000 tph
S2D 300/0610 M1I	18,30 m <sup>2</sup>	2	24.500 kg	12.000 kg	Up to 2500 tph
S2D 300/0730 M1I	21,90 m <sup>2</sup>	2	26.500 kg	13.000 kg	Up to 3000 tph
S2D 300/0850 M1I	25,50 m <sup>2</sup>	2	31.500 kg	15.000 kg	Up to 3500 tph
S2D 360/0610 M1I	21,96 m <sup>2</sup>	2	27.000 kg	13.000 kg	Up to 3000 tph
S2D 360/0730 M1I	26,28 m <sup>2</sup>	2	32.500 kg	16.000 kg	Up to 3500 tph
S2D 360/0850 M1I	30,60 m <sup>2</sup>	2	35.500 kg	17.500 kg	Up to 4000 tph

Screen type	Exciter[s]			Drive Motor[s]	Number
	Nb	Type	Speed	Power, speed, Voltage/Frequency	
S1D 300/0610 M1I	2	DS5	750 rpm	37 kW - 750 rpm - 400V/50HZ	1
S1D 300/0730 M1I	2	DS7	750 rpm	75 kW - 750 rpm - 400V/50HZ	1
S1D 300/0850 M1I	2	DS7	750 rpm	75 kW - 750 rpm - 400V/50HZ	1
S1D 360/0610 M1I	2	DS7	750 rpm	75 kW - 750 rpm - 400V/50HZ	1
S1D 360/0730 M1I	2	DS7	750 rpm	75 kW - 750 rpm - 400V/50HZ	1
S1D 360/0850 M1I	2	DS7	750 rpm	75 kW - 750 rpm - 400V/50HZ	1
S2D 300/0610 M1I	2	DS7	750 rpm	75 kW - 750 rpm - 400V/50HZ	1
S2D 300/0730 M1I	2	DS7	750 rpm	75 kW - 750 rpm - 400V/50HZ	1
S2D 300/0850 M1I	3	DS7	750 rpm	55 kW - 750 rpm - 400V/50HZ	2
S2D 360/0610 M1I	2	DS7	750 rpm	75 kW - 750 rpm - 400V/50HZ	1
S2D 360/0730 M1I	3	DS7	750 rpm	55 kW - 750 rpm - 400V/50HZ	2
S2D 360/0850 M1I	3	DS7	750 rpm	55 kW - 750 rpm - 400V/50HZ	2

### Remarks:

The screens are supplied with:

- Bonded rubber wear liners, thickness 6 mm, protecting the crossbars of the screen
- Replaceable wear plate with steel backing + rubber, thickness 5+30 mm, protecting the reception zone
- Replaceable wear plate with steel backing + rubber, thickness 3+25 mm, protecting the discharge zone
- Polyurethane modular screening panels, 300 x 1200 mm
- Polyurethane wedges and sideliner

### \* Capacities:

- Screening capacities can depend upon many parameters [size of material, type of material, mesh size etc.]
- The maximum capacities in the table above are given as guidance only
- Do not choose dimensions of a screen without first consulting Skako Vibration

Please contact us for further information regarding exact dimensions and installations.

**SKAKO Vibration** retains all rights to change the above specifications without notice.