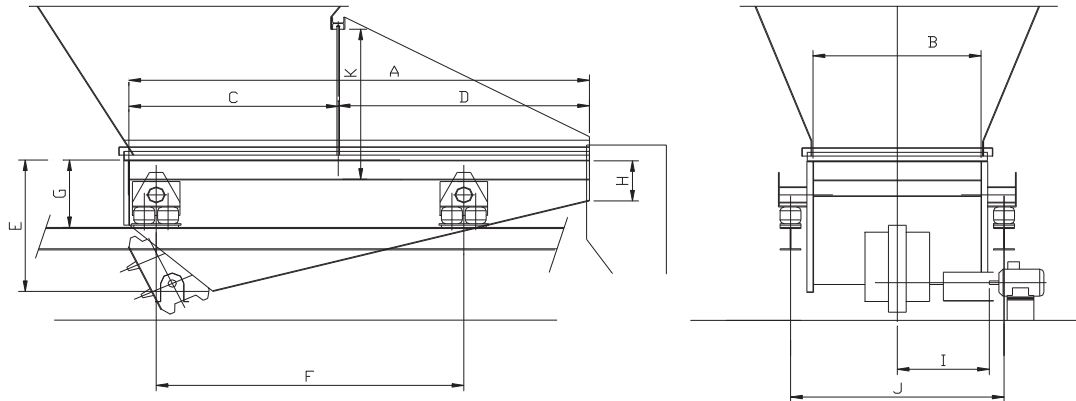


## Vibratory Feeder Type FCU/FCD-H



Feeder Size W/LA	Weight kg	A	B	C	D	E	F	G	H	I	J	K	Vibrator Type	Motor Size kW 4)
063 x 0220	1300	2200	630	1200	1000	1100	1300	800	450		1030	900	MV 500/6	3,8
063 x 0250	1350	2500	630	1200	1300	1100	1500	800	450		1030	900	MV 500/6	3,8
080 x 0250	1650	2500	800	1200	1300	1100	1500	800	500		1200	1100	MV 700/6	8
080 x 0320	1900	3200	800	1200	2000	1100	2000	800	500		1200	1100	MV 800/6	8
100 x 0320	2300	3200	1000	1500	1700	1250	2000	900	500	805	1400	1400	1 DS	11
100 x 0355	2400	3550	1000	1500	2050	1250	2200	900	500	805	1400	1400	1 DS	11
125 x 0355	2750	3550	1250	1500	2050	1400	2200	900	500	805	1750	1500	1 DS	11
125 x 0400	3350	4000	1250	1500	2500	1400	2500	900	500	966	1750	1500	1 DS	15
160 x 0400	4700	4000	1600	2000	2000	1800	2500	1000	550	966	2150	1700	1 DS	22
160 x 0450	5300	4500	1600	2000	2500	1800	2750	1000	550	966	2150	1700	1 DS	22
180 x 0450	6300	4500	1800	2250	2250	1800	2750	1000	600	1085	2250	1800	1 DS	30
180 x 0500	6600	5000	1800	2250	2750	1800	3000	1000	600	1085	2250	1800	1 DS	30
200 x 0500	7900	5000	2000	2500	2500	2000	3000	1000	600	1099	2450	2000	1 DS	55
200 x 0560	9900	5600	2000	2500	3100	2000	3300	1000	600	1099	2450	2000	1 DS	55
225 x 0500	9500	5000	2250	2500	2500	2300	3000	1100	800	1099	2650	2000	1 DS	55
225 x 0560	10200	5600	2250	2500	3100	2300	3300	1100	800	1099	2650	2000	2 DS	75
280 x 0560	12000	5600	2800	3000	2600	2300	3300	1300	800	1099	3200	2250	2 DS	110
280 x 0630	16300	6300	2800	3000	3300	2300	3800	1300	800	1099	3200	2250	2 DS	110

23-06-2011

- 1) The Feeder is designed for max. stone size falling 5m.
- 2) The stone weight is based on density 2,4 t/m<sup>3</sup>.
- 3) The capacities stated are valid for limestone with 4% moisture bulk density 1,6 t/m<sup>3</sup>.
- 4) Motor size calculated for start under load with hopper outlet as indicated.

Please contact us for further information regarding exact dimensions and installations.  
**SKAKO Vibration** retains all rights to change the above specifications without notice.

# Vibratory Feeder Type **FCU/FCD-H**

## CAPACITY

Feeder Size W/LA	1		2-		3		4		5		6		7		8	
	Weight Kg	Capacity T/h 3]	Weight Kg	Capacity T/h 3]	Weight Kg	Capacity T/h 3]	Weight Kg	Capacity T/h 3]	Weight Kg	Capacity T/h 3]	Weight Kg	Capacity T/h 3]	Weight Kg	Capacity T/h 3]	Weight Kg	Capacity T/h 3]
063 x 0220	1300	300														
063 x 0250	1350	250														
080 x 0250	1650	400	1700	350												
080 x 0320	1900	400	1950	350												
100 x 0320	2300	500	2350	500	2350	600										
100 x 0355	2400	500	2500	500	2500	600										
125 x 0355	2750	600	2950	600	3000	750	3000	750	3100	750						
125 x 0400	3350	600	3500	600	3650	750	3650	750	3800	750						
160 x 0400	4700	700	5200	800	5200	800	5200	800	5600	950	6000	1000				
160 x 0450	5300	700	5500	800	5500	800	5500	800	5800	950	6200	1000				
180 x 0450	6300	750	6500	900	6500	900	6500	900	6800	1050	7700	1200	7700	1200		
180 x 0500	6600	750	6900	900	6900	900	6900	900	7200	1050	8200	1200	8200	1200		
200 x 0500	7900	850	8600	1000	8600	1000	10900	1350	8600	1200	10500	1350	10500	1350	10900	1350
200 x 0560	9900	850	10500	1000	10500	1000	11900	1350	10500	1200	11300	1350	11900	1350	11900	1350
225 x 0500	9500	950	10200	1100	10200	1100	12000	1500	10200	1350	11300	1350	12000	1500	12000	1500
225 x 0560	10200	950	11200	1100	11200	1100	13100	1500	11200	1350	12400	1500	13100	1500	13100	1500
280 x 0560	12000	1200	16500	1450	16500	1450	16500	1450	18200	1650	19100	1900	19100	1900	20200	1900
280 x 0630	16300	1200	17500	14500	17500	1450	17500	1450	19500	1650	20500	1900	20500	1900	21500	1900

<b>1</b> Max Stone Size L . 450 mm	Weight 50 Kg	<b>5</b> Max Stone Size L . 1100 mm	Weight 2200 Kg
<b>2</b> Max Stone Size L . 600 mm	Weight 350 Kg	<b>6</b> Max Stone Size L . 1200 mm	Weight 2900 Kg
<b>3</b> Max Stone Size L . 700 mm	Weight 550 Kg	<b>7</b> Max Stone Size L . 1300 mm	Weight 3500 Kg
<b>4</b> Max Stone Size L . 800 mm	Weight 800 Kg	<b>8</b> Max Stone Size L . 1500 mm	Weight 5400 Kg

07-01-2015

Please contact us for further information regarding exact dimensions and installations.  
**SKAKO Vibration** retains all rights to change the above specifications without notice.