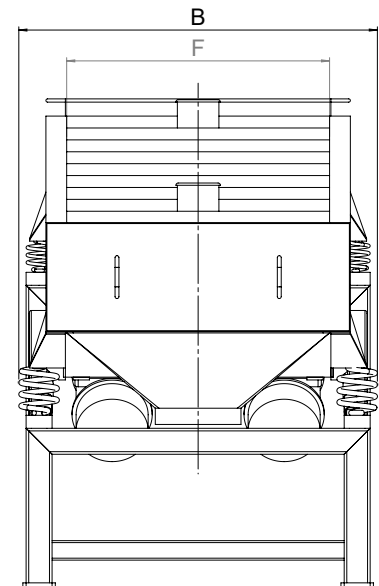
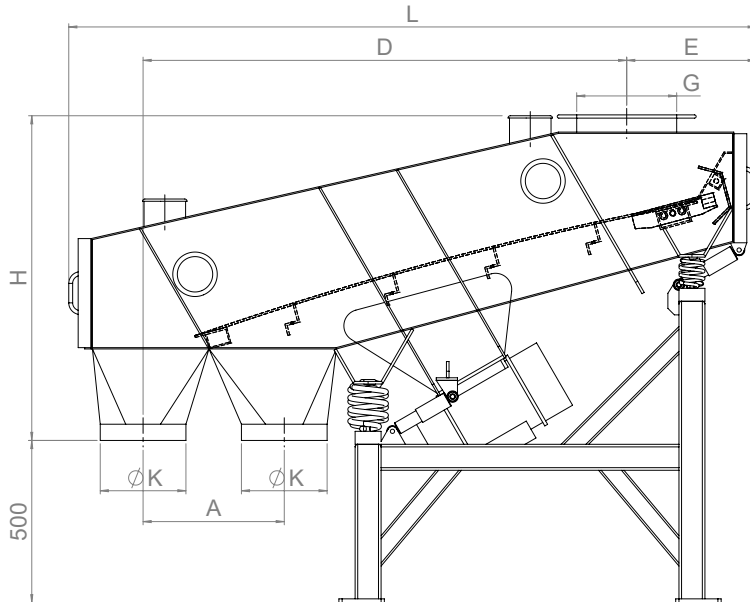


# Enclosed vibratory screen with **1 deck**



TYPE	Net	Vibrator	Kw	Kg	Dimension in mm								
					A	B	D	E	F	G	H	ØK	L
S1U050/0100-4N	500 x 1000	MVE950/15	2 x 0,64	226	280	790	920	300	-	Ø 200	630	133	1385
S1U050/0160-4N	500 x 1600	MVE1100/15	2 x 0,64	350	400	790	1450	400	510	300	950	256	2080
S1U050/0200-4N	500 x 2000	MVE1700/15	2 x 1,13	445	430	790	1830	400	510	300	1060	256	2460
S1U080/0160-4N	800 x 1600	MVE1700/15	2 x 1,13	470	435	1110	1490	400	810	300	1000	256	2120
S1U080/0200-4N	800 x 2000	MVE2500/15	2 x 1,76	685	380	1145	1880	400	810	300	1160	256	2545
S1U100/0200-4N	1000 x 2000	MVE3800/15	2 x 2,2	870	380	1420	1880	400	850	300	1160	306	2545
S1U100/0250-4N	1000 x 2500	MVE3800/15	2 x 2,2	1060	605	1420	2420	430	850	300	1370	306	3110
S1U100/0320-4N	2 x 1000 x 1600	MVE4300/15	2 x 2,5	1060	590	1420	3000	465	850	300	1480	306	3685
S1U125/0320-4N	2 x 1250 x 1600	MVE7200/15	2 x 4,0	1800	590	1670	3000	465	950	400	1480	408	3745
S1U125/0400-4N	2 x 1250 x 2000	MVE8000/1	2 x 4,6	2220	915	1670	3780	470	950	400	1740	408	4565
S1U160/0400-4N	2 x 1600 x 2000	MVE11400/1	2 x 6,4	3150	915	2050	3780	490	1300	400	1900	408	4600

Please contact us for further information regarding exact dimensions and installations.  
**SKAKO Vibration** retains all rights to change the above specifications without notice.