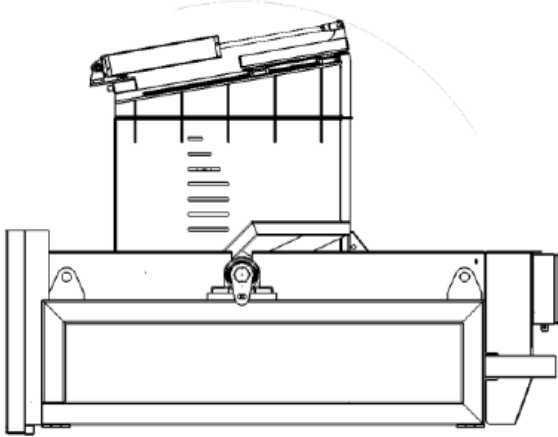
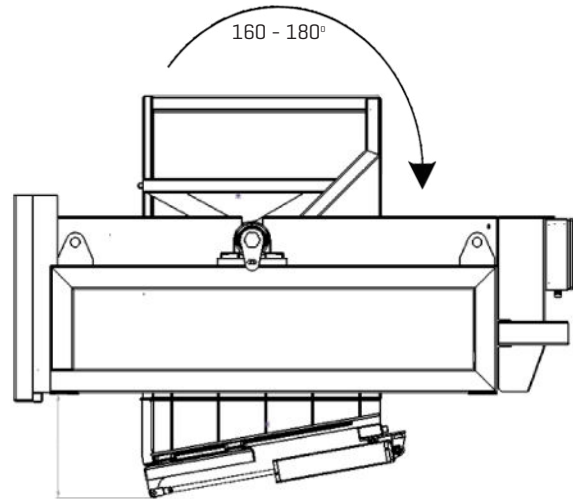


Gear Tipper Type TGD

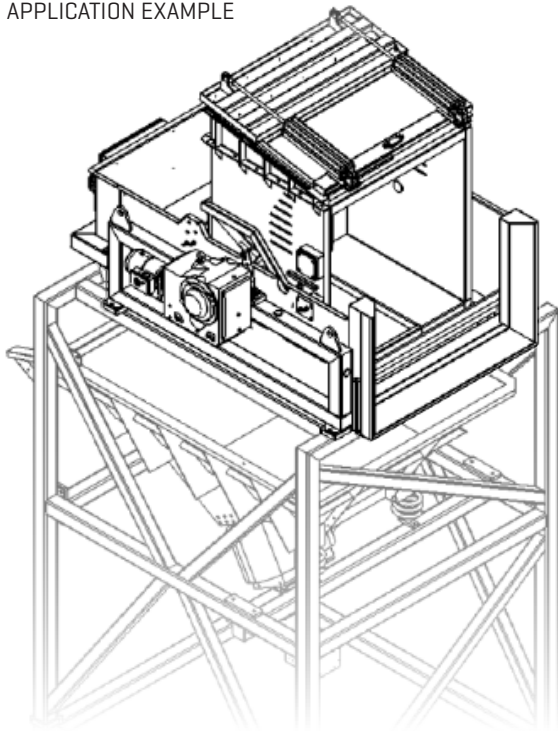
LOADING POSITION



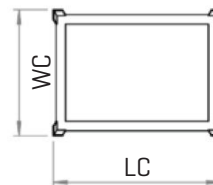
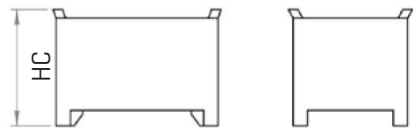
UNLOADING POSITION



APPLICATION EXAMPLE



CONTAINER SIZE



TIP OVER LC AXIS

HC: Height Container
WC: Width Container
LC: Length Container

TYPE	MAX. LOAD CAPACITY (KG)	CONTAINER LENGTH LC (mm)	CONTAINER WIDTH WC (mm)	CONTAINER HEIGHT HC (mm)
TGD100	1000	500 - 750	500 - 800	1000
		750 - 1000		
		1000 - 1250		

3-10-2017

Please contact us for further information regarding exact dimensions and installations.
SKAKO Vibration retains all rights to change the above specifications without notice.